



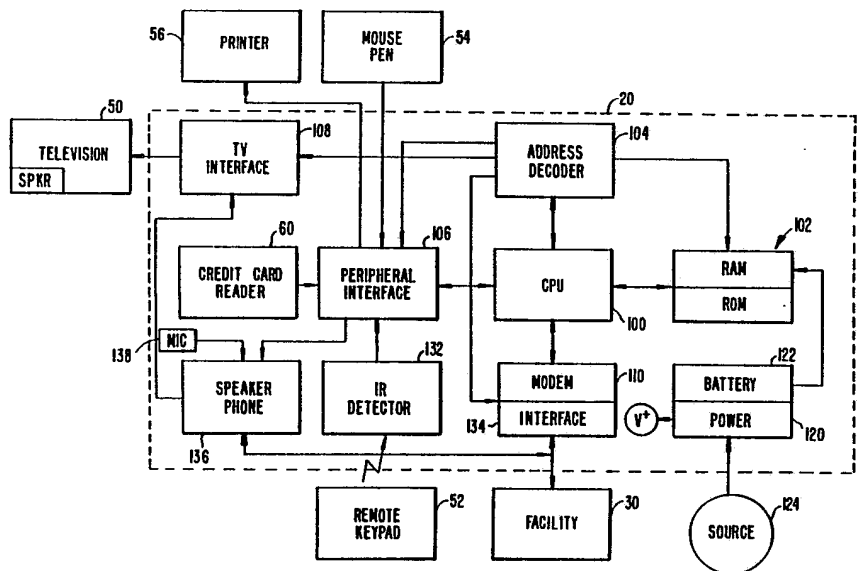
INTERNATIONAL APPLICATION PUBLISHED UNDER THE PATENT COOPERATION TREATY (PCT)

<p>(51) International Patent Classification ⁵ : H04N 7/12</p>	<p>A1</p>	<p>(11) International Publication Number: WO 93/07713 (43) International Publication Date: 15 April 1993 (15.04.93)</p>
<p>(21) International Application Number: PCT/US92/08316 (22) International Filing Date: 30 September 1992 (30.09.92) (30) Priority data: 770,520 3 October 1991 (03.10.91) US (60) Parent Application or Grant (63) Related by Continuation US 770,520 (CIP) Filed on 3 October 1991 (03.10.91) (71) Applicant (for all designated States except US): VISCORP [US/US]; 2728 N. Hampden Court, Suite #205, Chicago, IL 60614 (US).</p>		<p>(72) Inventor; and (75) Inventor/Applicant (for US only) : REMILLARD, Roger [US/US]; 8016 N. Floral, Skokie, IL 60077 (US). (74) Agents: WOODS, Michael, E.; Townsend and Townsend, Steuart Street Tower, 20th Floor, San Francisco, CA 94105 (US) et al. (81) Designated States: AT, AU, BB, BG, BR, CA, CH, CS, DE (Utility model), DK, ES, FI, GB, HU, JP, KR, LK, LU, MG, MN, MW, NL, NO, PL, RO, RU, SD, SE, US, European patent (AT, BE, CH, DE, DK, ES, FR, GB, GR, IE, IT, LU, MC, NL, SE), OAPI patent (BF, BJ, CF, CG, CI, CM, GA, GN, ML, MR, SN, TD, TG). Published With international search report. Before the expiration of the time limit for amending the claims and to be republished in the event of the receipt of amendments.</p>

(54) Title: APPARATUS AND METHOD FOR ELECTRONIC DEVICE FOR INFORMATION SERVICES

(57) Abstract

An electronic device (20) and method for accessing remote electronic facilities (30) and displaying associate information on a conventional television set (50). The electronic device (20) self-configures itself upon power-up or reset by initiating a data call to a configuring facility (30). Information related to available facilities and programming, autonomous mail checking is downloaded to the electronic device (20). The electronic device (20) displays a menu including several user selectable facilities. The user chooses one of the options from the menu by use of a remote keypad control (52). The options available include printing, electronic mail, news and information services. Interfacing the electronic device (20) with a stylus-type pointing device (54) permits sketching and drawing on the television (50), including superposition of images on captured television images. Captured images of graphics or text are optionally stored or forwarded to a user through a mail facility accessed through operation of the system. The captured images may subsequently be sent via facsimile transmission to other facsimile transmission machines or receivers. The electronic device (20) includes a speaker phone (136) for providing audio information received over telephones to the television (50) speaker.



FOR THE PURPOSES OF INFORMATION ONLY

Codes used to identify States party to the PCT on the front pages of pamphlets publishing international applications under the PCT.

AT	Austria	FR	France	MR	Mauritania
AU	Australia	GA	Gabon	MW	Malawi
BB	Barbados	GB	United Kingdom	NL	Netherlands
BE	Belgium	GN	Guinea	NO	Norway
BF	Burkina Faso	GR	Greece	NZ	New Zealand
BG	Bulgaria	HU	Hungary	PL	Poland
BJ	Benin	IE	Ireland	PT	Portugal
BR	Brazil	IT	Italy	RO	Romania
CA	Canada	JP	Japan	RU	Russian Federation
CF	Central African Republic	KP	Democratic People's Republic of Korea	SD	Sudan
CG	Congo	KR	Republic of Korea	SE	Sweden
CH	Switzerland	LI	Liechtenstein	SK	Slovak Republic
CI	Côte d'Ivoire	LK	Sri Lanka	SN	Senegal
CM	Cameroon	LU	Luxembourg	SU	Soviet Union
CS	Czechoslovakia	MC	Monaco	TD	Chad
CZ	Czech Republic	MG	Madagascar	TG	Togo
DE	Germany	ML	Mali	UA	Ukraine
DK	Denmark	MN	Mongolia	US	United States of America
ES	Spain			VN	Viet Nam
FI	Finland				

and configures them to permit access to selected facilities. Many users forego access to desired facilities because of the complexity and time required in acquiring and configuring the computer components. Databases vary as to requirements for
5 their various components and configuration as well as protocol used for access, further increasing the complexity and time to access desired information or services. Due to a large number of different providers of the information and services, it is sometimes difficult to ferret out particular access information
10 for desired facilities.

The complexity of the acquisition and configuration of the necessary computer components does more than deter potential users of the facilities. Reluctance and caution on the part of the users, as well as customer premises equipment
15 cost, also deters and impedes development of the facilities for access by others.

SUMMARY OF THE INVENTION

The present invention provides apparatus and method
20 for simply, efficiently and economically providing facility access to any user. The invention permits access to and use of the tremendous information and services available in electronic form without knowledge of computer components or configuration requirements. Access to information and use of the various
25 electronic services is possible by use of a conventional numeric remote keypad for selecting particular menu items from menus displayed on conventional television sets.

According to one aspect of the present invention, it includes a television set, a communications device connected to
30 a telephone network, a remote keypad and a controller. The controller displays menu items on the television screen and controls operation of the communications device. The menu items correspond to various services available to a user. Numbers, typically 0-9, identify the individual menu items.

35 In operation, the controller preferably initiates an automated configuration mode upon initial power-up. The automated configuration includes initiation of a data call to a

predetermined independent computer system to acquire configuration information and operating instructions. The configuration information includes data identifying particular services desired by the individual identified user. The
5 configuration information controls which menu choices the user may select.

The preferred embodiment of the present invention includes a built-in messaging system for the user. The system permits exchange of messages to and from other electronic
10 device users, computer users or various facilities. In this embodiment, the operating instructions of each electronic device directs the device to autonomously initiate a messaging call to a messaging facility at predetermined times when the user is not using the telephone line. The system waits and
15 calls later if the telephone line is in use. The controller posts any untransmitted messages at this time, and receives messages and any new configuration or operating instructions. If the controller receives new messages for the user, it lights a message indicator. This tells the user new messages are
20 waiting, prompting the user to access them.

When the user activates the electronic device, the controller displays the selection menu which includes those options available to the user. One available menu item permits the user to read the messages. The remote keypad controls the
25 operation of the various features of the electronic device, such as message scrolling, rereading, saving or deleting particular messages, for example.

When the user desires to access the information and services, the user selects one of the menu items by operating
30 the remote keypad. Selection signals from the remote keypad identify a particular menu item. The controller responds to the selection signals by identifying the desired service associated with the input from the remote keypad. The controller operates the communications device to access the
35 telephone line. Accessing the telephone line permits connection to an independent computer system providing the desired service. The controller prompts the independent

computer system to provide the desired information or service. The controller displays the desired information or service on the television, and waits for additional input from the remote keypad. Use of a printer or a video recorder connected to the controller provides the user with an ability to produce a hard
5 copy of the information displayed on the television.

Another aspect of the invention includes a pen-type pointing, drawing and writing device for creation of particular images on the television screen. A user controls a drawing
10 cursor's position on the television display by moving the pointing device. After creating a desired image, the controller, responsive to selection signals from the remote keypad, prints images created with the pointing device, or captures the image and transmits it to an independent computer
15 system. One embodiment of this drawing ability is a straight-line sketching or CAD-type tool, similar to an Etch-A-Sketch®. The independent computer system, depending upon particular menu options selected, directs the captured transmitted image to another user or to storage for later access. It is possible to
20 capture television images transmitted from the television station and superimpose user-created graphics. One embodiment of this feature includes an ability to capture handwritten notes and forward them to another user in graphics form. Alternatively, screens from this electronic device, as well as
25 information received from an accessed facility, in file form or in an on-line viewing format, can all be stored, printed, sent and videotaped.

Some pen-type pointing devices include a click button for indicating particular user actions when operated. One
30 feature of an embodiment including this type of pointing device includes an ability to simulate keyboard input. The controller displays a keyboard image on the television. The user subsequently identifies each desired key by clicking within the keyboard image at positions corresponding to each desired key.
35 Positioning the cursor and selecting particular key images permits simulation of typing. The controller is able to capture and transmit these typewritten-document images just as

any other image. Many different types of pointing devices are available. It is believed that an IR responsive mouse-pen would be useful in many applications.

Still another aspect of the present invention includes an integral card reader (credit or debit card, for example) with the controller. This permits the user to conveniently purchase goods or services by use of the electronic device. The card reader permits a user to purchase products, pay-per-view programming, information services (videotext or audiotext). Further, the card reader permits screening access of the electronic device to restricted programming. In other words, to access particular features, a user must "swipe" a card through the card reader. The card may be a credit card to pay for the services or some other specially prepared and encoded card for controlling access. In addition to this screening mechanism, the electronic device may include personal identification number (PIN) password protection for access to selected services.

An additional aspect of a preferred embodiment in use of the electronic device to access audio information, such as voice mail or other audiotext facilities. A preferred embodiment provides for use of the electronic devices as a speaker phone. In the speaker phone embodiment, the electronic device includes a microphone and a displayed menu item, programmable and selectable by the remote keypad. Selection of the menu item results in the electronic device answering an incoming telephone call. Audio information is output over the television speaker. The electronic device can be used to record frequently used numbers (input from the remote keypad) and display them in a menu. Selection of a menu item initiates the desired call. Full conversation between the user and the called party is possible. In the case of audiotext for voicemail requiring DTMF signalling, the remote keypad may initiate these features.

The invention provides simple, efficient access to facilities (or limitation to particular facilities) without acquisition or configuration of computer components. Users

select desired services from among several services displayed in menu by operation of a remote keypad. Autonomous self-configuration of the electronic device allows a system operator to enhance services or operation quickly and ensure that all users have their chosen services available to them. It is one embodiment to include predefined configuration for specialized implementations, such as private networks within a company or organization, that can be preconfigured with desired options. Optimally, a central computer can automatically configure all electronic devices (and related menus) connected on a private network. One example of the private network would be hotels offering room services and checkout through use of a properly configured electronic device. Other embodiments include access to facilities offering interactive television and other real-time online services.

Reference to the remaining portions of the specification and the drawings realize a further understanding of the nature and advantages of the invention.

BRIEF DESCRIPTION OF THE DRAWINGS

Fig. 1 is a block diagram of a videotext system including an electronic device interface having a preferred embodiment of the present invention;

Fig. 2 is a block diagram of electronic device according to a preferred embodiment;

Fig. 3 is an illustration of one configuration of the electronic device including menu items;

Fig. 4 is a flow chart illustrating general operation of electronic device;

Fig. 5 is a top level software flow diagram illustrating a typical operation for a preferred embodiment; and

Figs. 6A through 6C are detailed sections of identified portions of the software flow diagram of Fig. 5.

DESCRIPTION OF THE PREFERRED EMBODIMENT

Fig. 1 is a block diagram of a videotext system 10 including an electronic device interface 20 having a preferred embodiment of the present invention. The videotext system 10 includes an independent computer system (host computer) 30 providing one or more facilities a user desires to access. The host computer 30 connects to the electronic device 20 through a communications medium 32. Examples of the communications medium includes public-switched telephone networks, closed-circuit coaxial cables, and cellular telephone transmission networks. The host computer 30 provides access to many facilities 31, including other electronic devices (EDs) 34, networks 36, personal computers 38, databases 40 and facsimile or telex services 42, for example. Furthermore, for a speakerphone operation detailed further below, a facility may be a telephone 44. The host computer 30 includes a plurality of facilities 31 operable on the system itself. Additionally, facilities 31 on the host computer 30 provide access to remote facilities 31 such as other EDs 34.

The electronic device 20 interfaces these facilities for access and display on a conventional television 50. The user selects and controls access to the facilities displayed on or presented by (in the case of audio information) the television 50 by use of a remote keypad control 52. The remote keypad control 52 of the preferred embodiment is similar to conventional television remote controls for selection of channel and volume, for instance. The remote keypad control 52 provides menu selection signals to the electronic device 20 for selection of a particular facility of the host computer 30.

The electronic device 20 of the preferred embodiment includes a stylus-type or pen-type pointing and writing device 54 for creation of bitmap images on the television 50. The bitmap images include graphical and textual information drawn by the user. The user is able to direct the electronic device 20 to capture images from the television 50 screen. The images include any bitmap images created by the user. The electronic device 20 is able to transmit these captured images

to the host computer 30 for storage or forwarding to any of the facilities the host computer 30 controls.

5 Additionally, the pointing device 54 is able to function as a text input device by interaction with an image of a conventional typewriter keyboard. Through display of the keyboard image on the television, and monitoring cursor positions associated with "clicks" of the pointing device 54, a user may "typewrite" information on the screen.

10 The electronic device 20 includes an interface for a printer 56. The electronic device 20 directs selected, captured images to the printer 56 for hard copy output. The printer 56 prints results of queries to the various selected facilities, the sketching or writing performed with the pointing device 54, or any other screen displayed.

15 Also shown in Fig. 1 is an integral card reader 60. This card reader 60 provides a ready and simple mechanism for each user to access premium facilities having a surcharge, or for purchase of items displayed by particular facilities, or even as an agent to arrange pay for view television programming.

20 Fig. 2 is a block diagram of the electronic device 20 according to a preferred embodiment. The electronic device 20 is a microcontroller-controlled appliance including a central-processing unit (CPU) 100 coupled to a memory 102, an address decoder 104, a peripheral interface 106, a television interface 108, for audio and video, as well as connection to a video recorder and a modulator/demodulator (modem) 110 by a data and address bus. The memory 102 includes both random read/write memory (RAM) and read-only memory. A power supply 120 generates power for the components of the electronic device 20 (V⁺), as well as to keep a battery-backup 122 charged. The battery-backup 122 provides power for the RAM when the power-supply 120 is not connected to a power source 124. Additionally, the preferred embodiment of the electronic device 35 20 includes the credit card reader 60 and an infrared detector 132, both coupled to the peripheral interface 106.

The CPU 100 controls operation of the electronic device 20 according to instructions stored in the ROM and the RAM of the memory 102. The ROM includes an initialization sequence which the CPU 100 executes upon every reset or power-up. The initialization sequence includes a set of commands causing the electronic device 20 connect to a particular facility 30 and self-configure itself in one preferred embodiment. The self-configuration includes receipt of particularized instructions for the particular electronic device 20, depending upon an identification code stored in the ROM. The CPU 100 stores these particularized instructions in the RAM.

The CPU 100 addresses the components of the electronic device 20 through the address decoder 104. The address decoder receives addresses from the CPU 100 and asserts a select signal to an identified component in response to a particular address. Components with an asserted select signal from the address decoder 104 interact with the CPU 100, either receiving instructions or providing data.

The peripheral interface 106 includes a parallel input/output port as well-known for interfacing to the printer 56, to the credit card reader 60, and to the IR detector 132. The peripheral interface 106 includes a serial interface for the pointing device 54. The parallel interface and the serial interface are separately selectable by the address decoder 104. Additionally, the peripheral interface 106 controls a speakerphone 136 circuit. The speakerphone 136, responsive to a hook control signal from the peripheral interface 106, couples an internal microphone 138.

The television interface 108 includes a video controller for text and graphics, connected to a video memory and a video modulator to produce television-compatible output. The television interface 108 connects to a conventional television for display of menus identifying the various facilities available to a user, and for displaying the information provided from a selected facility.

The modem 110, through an modem interface 134 particularized for the communications medium used by the electronic device 20, communicates with a selected facility 31. The modem 110 permits the electronic device 20 and the facility
5 31 to exchange information in a well-known fashion.

The card reader 60, a conventional device, reads magnetically encoded information on credit and debit cards. The card reader 60 provides output information to the CPU 100 through the parallel input/output function of the peripheral
10 interface 106.

The IR detector 132 receives menu selection signals from the keypad remote control 52. The IR detector 132 provides the CPU 100, through the peripheral interface 106, with particular key information selected.

Fig. 3 is an illustration of one configuration of the electronic device 20 including display of selected menu items. The electronic device 20 provides the user with a menu of available services. The sample menu in Fig. 3 includes seven items which the user selects by use of the remote keypad
15 control 52. The remote keypad control 52 does not employ a typewriter-type keyboard to implement the selected functions. By displaying a menu having numbered entries and selecting a corresponding number for a desired entry by use of the remote keypad control 52, the user accesses the desired facility. The
20 electronic device 20 includes a microphone 138 for a speakerphone function and a mail indicator 140 which illuminates when new unread mail is available for the user.

The electronic device retrieves mail and other information in two manners. First, if an "auto-poll" function
30 is not enabled (an option in one of the main menus), the user selects the electronic device mail option by use of the IR remote, prompting the electronic device to dial the database and retrieve any waiting mail or other information. The information is downloaded and the telephone connection
35 terminated, or the user can view the information "on-line". Second, if the auto-poll feature is turned on by the user (or by the database remotely in configuring or reconfiguring the

electronic device), the electronic device automatically dials the designated database at predetermined (either by the user or by the database in configuration) times, downloads "mail", terminates the telephone connection and turns on the mail-
5 waiting light on the front of the electronic device. Through the use of the auto-poll function, the electronic device can be kept automatically updated with timely, fresh information from the services selected by the user or by the database. The mail message, can for example, indicate when a particular service
10 has been activated and is available to the user, or confirm shipment of goods purchased through use of the electronic device.

Fig. 4 is a flow chart illustrating general operation of the electronic device 20 of Fig. 2. The electronic device
15 20 begins, after initialization, at step 150 and displays a menu of items available to the user.

When the electronic device is first turned on, it automatically calls its database host to receive operating instructions (such as which services to access and when). To
20 view information screens on the electronic device, the user turns his television on, selects channel 3 or 4, and the electronic device main screens are displayed on the television screen.

The device, at step 152, next polls the IR detector
25 132 to determine if the user selected a displayed menu item by operating the remote keypad 52. Absent a selection from the remote keypad control 52, the program continues with steps 154 through 162, and returns to step 150. If the user selected a menu item corresponding to an available service of a remote
30 facility, the program flow branches to steps 164 through 170. If the menu selection signals indicate the user desires a printout of the screen, the program flow branches to steps 172 through 176.

Steps 154 through 162 describe performance of the
35 electronic device 20 for receiving and displaying inbound data calls. At step 154, the electronic device 20 checks the modem 110 for an incoming data call. If there is no incoming data

call, the program returns to step 150 to display the user menu. If a call is present, the program executes steps 156 through 162. Step 156 answers the modem, step 158 establishes a connection with a remote facility calling the electronic device
5 20, step 160 downloads (receives) the data from the calling facility, and step 162 displays any information from the download. After displaying the information, the program returns to step 150. The incoming data may modify operation of the electronic device 20 by reconfiguring the system. The
10 incoming data call may provide the user with an additional menu item if the facilities expand, or if the user requests additional options.

Steps 164 through 170 access and acquire desired information responsive to the selected menu item. The program
15 retrieves stored information relating to accessing the desired facility from the memory 102. This information can include modem settings, node addresses, passwords, etc. Step 166 initiates and dials the modem 110, and step 168 establishes a connection with the host computer 30 providing the desired
20 service. After connection, the electronic device 20 initiates a download of the desired information at step 170. After downloading the information, the electronic device branches to step 162 to display the information for the selected service. After displaying necessary information desired by the selected
25 service, the program returns to step 150.

Steps 172 through 176 produce a printout of the current television image. Step 172 captures data for printing, either in text or graphics form. Step 174 initializes the
30 printer 56 and step 176 sends the captured print data to the printer 56 for printing. The program returns to step 150 after step 176.

Fig. 5 is a top level software flow diagram illustrating a typical operation for a preferred embodiment of the present invention as implemented in the source code
35 included in the appendix. The source code appendix includes five software modules to implement the functions of the

electronic device 20. These modules include ED.C, EDDATA.C, ED.H, ED.ASM, and DRAWSUBS.C.

The ED.C module is the main program which calls the necessary subroutines and functions to implement a particular combination of services for a user of the electronic device 20. The configuration program may be self-contained within the electronic device 20, or loaded remotely from a configuration facility, for example. The ED.C includes the C-code main definition. ED.C includes some functions not found in the other modules that are specific to text manipulation, such as for example, scrolling.

ED.H is a C-program header file which includes the global definitions, tables and equates used in other modules.

EDDATA.C are strictly menu data in ASCII format. Each menu screen includes a name, such as "MAIN MENU" for example. The ED.C program retrieves particular screens by reference to the appropriate name.

ED.ASM includes primitives for low-level operation of particular features or common tasks. For example, these primitives decode one key press from the IR receiver, send one byte to the modem, receive one byte from the modem, control the mail status light toggling, write one pixel on a screen, etc. Other features control graphics screens, the pointing device, card reader, and speakerphone for example. These may be described as generic, universal routines to perform the selected functions.

DRAWSUBS.C are higher level primitives, written in a C-language, for performing a next higher level of functional control. For example, the primitives in DRAWSUBS.C include code to use the primitives of the ED.ASM module to draw boxes or lines, or to set a mode between graphics and text, for example.

Details of Fig. 5 are found in the appropriate one of Figs. 6A through 6C. Fig. 6A includes a set of steps for initialization and active monitoring for input from a user. Step 200 includes a power on/reset initialization and self-test functions. After step 200, the device displays its main menu

at step 202. Step 204 is a main polling loop, waiting for different activities. These activities include detecting no activity (step 206), a manual reset (208), a ringing phone (step 220), a credit card swipe (step 260 in Fig. 6B) or an IR key activation (step 262 in Fig. 6B).

Detection of no activity at step 206 branches the program back to step 202. A manual reset at step 208 returns the program to step 200 for reset initialization and self-test.

A ringing phone at step 220 results in the electronic device answering the phone (step 222) and a subsequent determination of a call type at step 224. The call may be either a voice call (step 226), an incoming fax (step 228), a mail message waiting call (step 230), or a configuration call (step 232).

The voice call type results in allowing the user to normally use the telephone to conduct a voice conversation (step 234) and return to display the main menu (step 202). An incoming fax results in the electronic device logging into an appropriate facility (step 236) and receiving printing the fax document (step 238) from the facility. Subsequently, the program flow returns to display of the main menu step 202.

A message waiting causes the electronic device to log into a mail facility (step 240), receive the message (step 242), and turn on the message light (step 244). Thereafter, the system returns to step 202 to display the main menu.

The call type may be a configuration call, which causes the device to log into a configuration facility (step 246), and receive configuration information at step 248. The configuration information may be menu configuration (step 250), program configuration (252) or security configuration (step 254). After receiving the configuration information, the program returns to reset, step 200.

Fig. 6A connects to Fig. 6B at the indicated markings of A, B and C. Fig. 6B illustrates two other activities, credit card swiping in the card reader (step 260) and IR key activation (step 262). Credit card swiping results in the device reading the card information (step 264), dialing the

phone (step 266), sending the card information (step 268) and obtaining any necessary authorization (step 270). The system returns to step 202, Fig. 6A, thereafter.

Activation of an IR key performs a selected function, correlated to a function presently displayed on the television, in a menu format (step 280). Representative functions, for purposes of explanation only, include speakerphone operation (step 282), get voicemail (step 284), send a fax (step 286) or do stock quotes (step 288). Other functions, including those previously described, may be implemented in similar fashion.

Step 282 is followed by dialing the phone (302) and conducting a voice conversation (step 304) by using the microphone of the device and the television speaker. The program flow returns to step 202.

After step 282, the device dials the phone (step 296), logs into a voicemail facility (298) and activates DTMF signalling to retrieve voicemail (step 300), if necessary. The program returns to step 202 after obtaining voice messages, which may be presented on the television speaker.

To send a fax, after step 286, the devices presents a drawing screen, recording cursor movements recorded through use of the pointing device (step 290), dials the phone and sends a password (step 292), and sends the image data to a fax facility (step 294). The image is typically transmitted in PCX format.

Fig. 6C connects to Fig. 6B at points D, E, and F. If a decoded IR key activation routes the program to step 288, the device displays a sub-menu of stock quote options at step 306). These options include current prices (step 310), volume analysis (step 312), foreign trading (step 314) or other service (step 316) or an option to return to a previous menu (step 318), which in this case is step 202 displaying the main menu.

Steps 310, 312, 314 and 316 advance to step 320 which dials the phone and sends the password to the appropriate stock facility. Step 322 retrieves the appropriate data, depending upon the particular desired option, and returns to step 202 for display of the main menu.

The configuration of the preferred embodiment of the present invention does not limit itself solely to accessing and receiving requested information. The present invention is able to access remote facilities and initiate desired activities on behalf of the user using the electronic device. The present invention includes an ability to store profile information relating to the user, such as cable service provider, etc. and initiate calls, at the users behalf, to authorize the cable service provider to provide "pay-per-view" service or interactive television, for example. By using the credit card reader, or credit card information stored in the memory 102, the electronic device may quickly provide access and authorization for particular events the user desires. In this fashion, the electronic device 20 provides a simple interface to the electronic networks available to conventional computer users, without the expense and complexity of learning to operate a personal computer and associated hardware and software. The electronic device has the ability to capture displayed television images and convert them to PCX format, a widely used graphic standard. The PCX format is useful in many forms, including facsimile transmission.

In conclusion, the present invention provides a simple, efficient solution to a problem of accessing, using and paying for the many electronic facilities presently available. Complex and time-consuming acquisition and configuration, as well as training in use of the computer components becomes unnecessary with the present device. While the above is a complete description of the preferred embodiments of the invention, various alternatives, modifications, and equivalents may be used. Therefore, the above description should not be taken as limiting the scope of the invention which is defined by the appended claims.

WHAT IS CLAIMED IS:

1. An electronic device, for use with a telecommunications network and independent computer systems providing facilities to a user, wherein one facility is a configuration facility comprising:

5 a television;

a digital communications device for transmission and receipt of digital signals;

10 a remote keypad for transmitting menu selection signals; and

a controller, coupled to said television and to said digital communications device, for:

15 displaying a menu on said television, said menu including first and second items, each said item identifying a facility;

responding to said menu selection signals to select a particular one item from said first and second items;

20 operating said digital communications device to access the telecommunications network and connect to a chosen one of the independent computer systems providing said service corresponding to said particular one item selected from said menu displayed on said television;

25 initiating said service from said independent computer system; and

displaying information on said television responsive to said service provided by said connected independent computer system.

30 2. The electronic device of claim 1 further comprising:

means, coupled to said controller, for initiating a self-configuration data call to a configuration facility; and

35 means, coupled to said controller, for self-configuring the electronic device, including identification of particular menu items available to a user.

3. An electronic device, for use with a television, and a communication network coupled to a remote database, comprising:

means for interfacing to the television;

5 means for interfacing to the communications network;
a keypad remote control; and

controller means, coupled to the television
interfacing means and to the telephone network interfacing

10 means and responsive to signals from said keypad remote
control, for:

displaying, on the television, a menu having a
plurality of options;

selecting a particular one of said plurality of
options by use of said keypad remote control;

15 initiating a data call over the telephone
network to the remote database storing information
relating to said particular one option;

accessing said remote database to retrieve said
particular one option related information; and

20 displaying said retrieved particular one option
related information on the television.

4. The electronic device of claim 3, further
comprising means coupled to said controller means, for
25 automatically initiating a particular data call.

5. The electronic device of claim 3 further
comprising:

a stylus-type tracking device; and

30 means, coupled to said controller means, for
interfacing to said stylus-type tracking device.

6. The electronic device of claim 3 wherein said
stylus-type tracking device interfacing means includes means
35 for recording a path of a cursor, controlled by said stylus-
type tracking device, as a display image for said television.

7. The electronic device of claim 3 further comprising a card reader, coupled to said controller means.

8. The electronic device of claim 3 wherein said television interfacing means includes means for receiving an audio signal over the communication network and audiblizing said audio signal by a television speaker.

9. The electronic device of claim 8 further comprising a microphone, coupled to said controller means, for providing speakerphone capabilities by use of the television and said microphone.

10. The electronic device of claim 9 wherein said speaker phone capabilities are initiated responsive to selection signals from said keypad remote control.

11. The electronic device of claim 3 further comprising a video recorder, coupled to said controller, for recording images.

12. The electronic device of claim 3 further comprising means for interacting with live television programming in real-time.

13. The electronic device of claim 5 wherein said plurality of options includes a mail option, which when selected by said keypad remote control, retrieves a mail message.

14. A method for interfacing a television to an electronic facility, comprising the steps of:

self-configuring an electronic device coupled to the television and to a communications medium upon a power-up to produce a menu of a plurality of user selectable facilities; displaying said menu on the television;

responding to a menu selection signal from a remote keypad control to identify a particular one of said plurality of user selectable facilities;

5 initiating a data call by the electronic device to a host computer system servicing said particular facility;

connecting the electronic device to said host computer system;

downloading data associated with said particular facility to the electronic device; and

10 displaying said downloaded data associated with said particular facility.

15 15. A speakerphone for a television, comprising:

a remote keypad including a plurality of keys and a transmitter for issuing data relating to keypress events;

a telephone signal receiver for receiving an incoming telephone call;

a microphone;

20 an audio converter circuit, coupled to the television, for converting incoming telephone audio signals into television audio signals;

a remote receiver for receiving said data relating to keypress events and converting them into control signals; and

25 a speakerphone controller, coupled to said telephone receiver, said audio converter circuit and said remote receiver, for controlling telephone operation responsive to said control signals, with a speaker of the television producing audio signals of an incoming telephone call and said microphone providing input for the speakerphone.

30 16. The speakerphone of claim 15 wherein said speakerphone controller includes a dialing mechanism, responsive to said control signals, for placing a phone call.

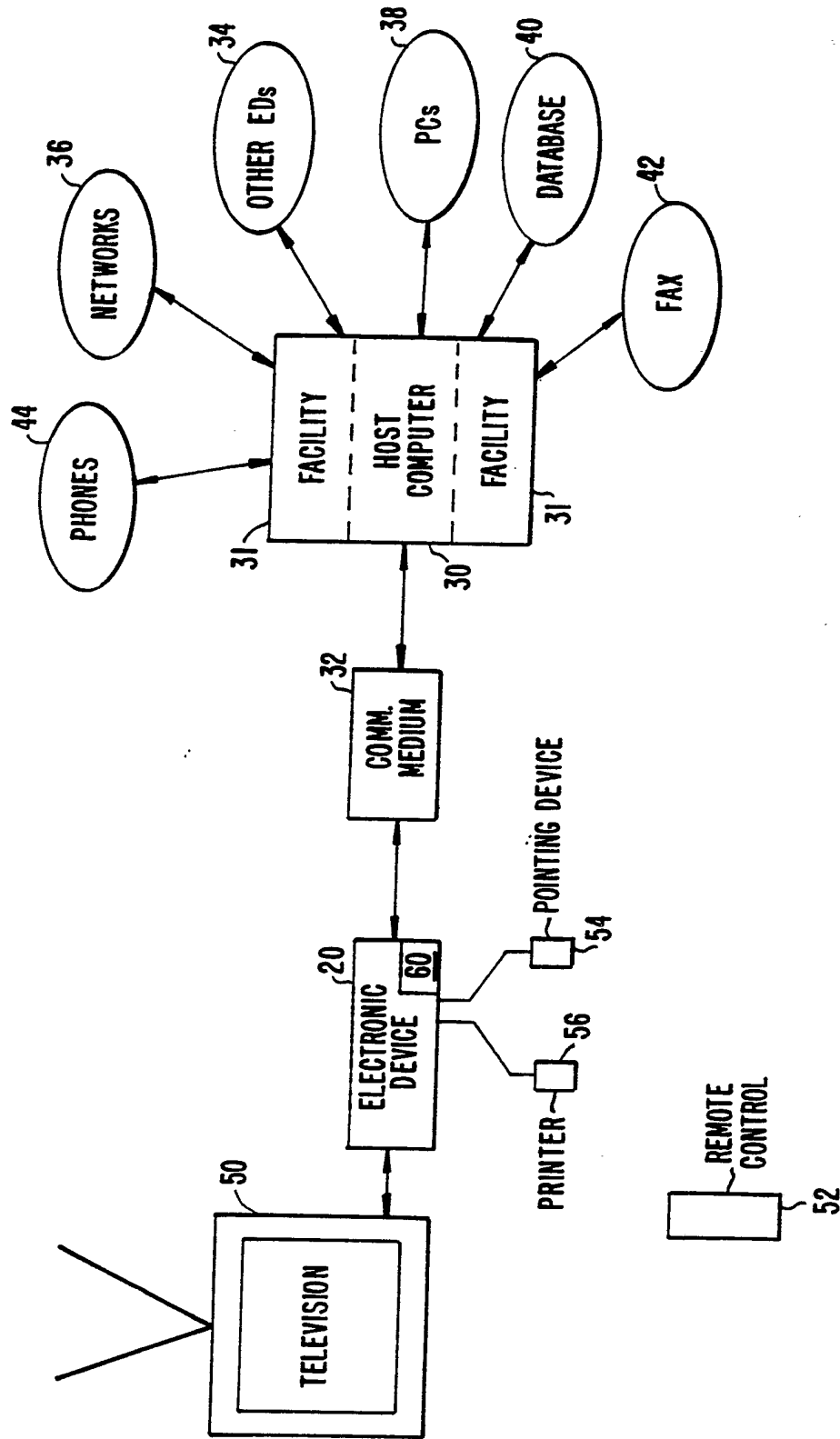


FIG. 1.

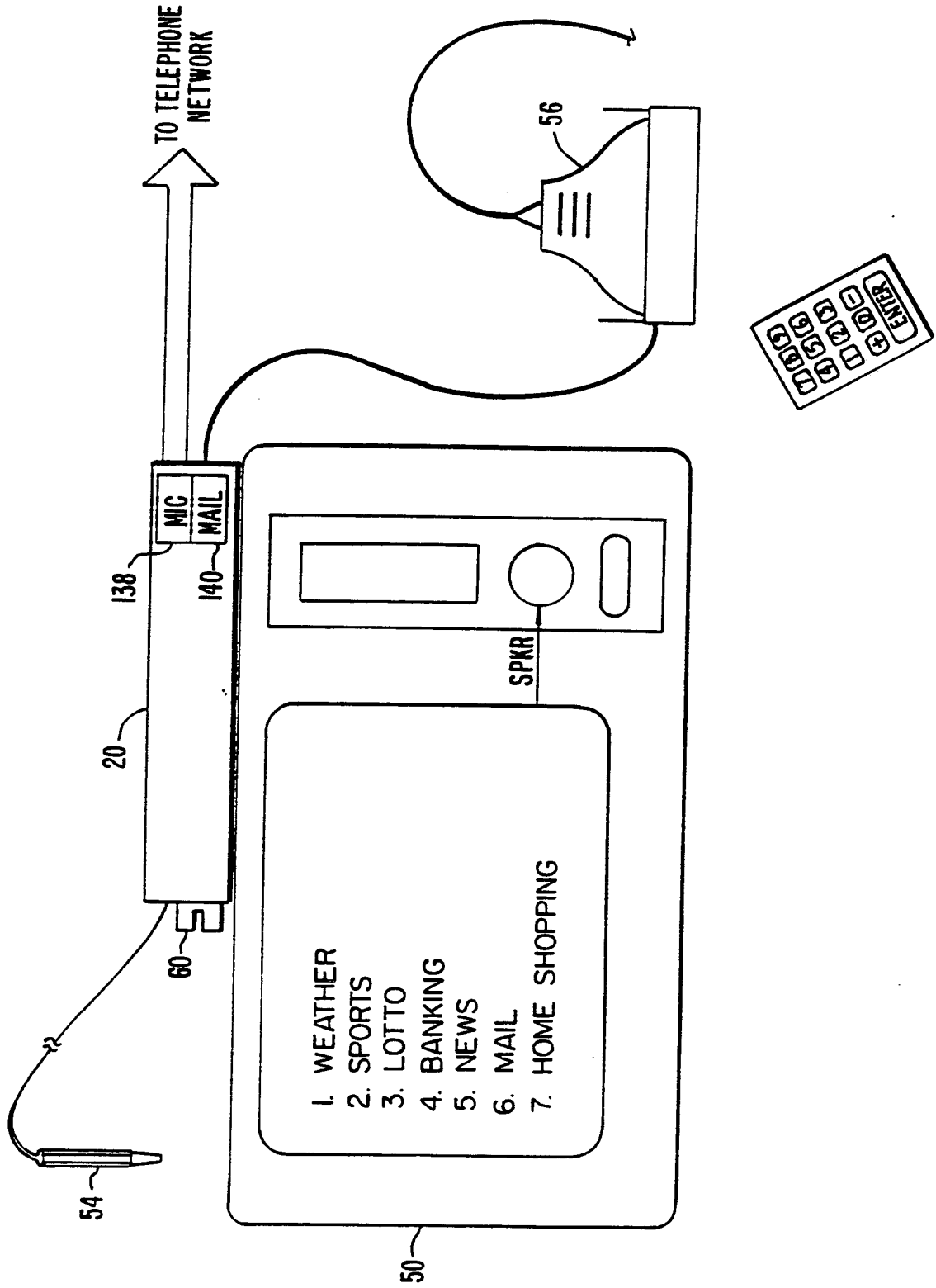


FIG. 3.

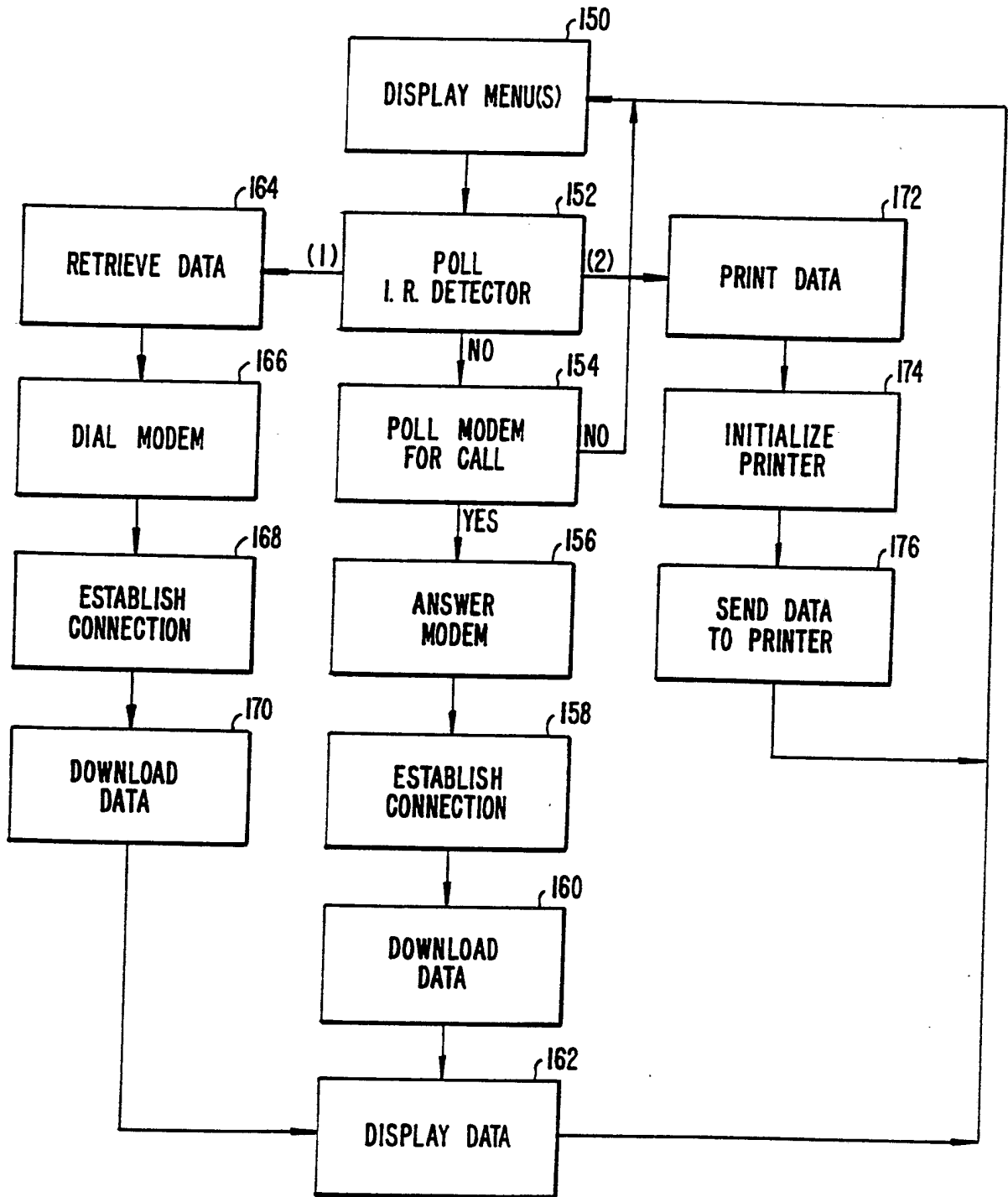


FIG. 4.

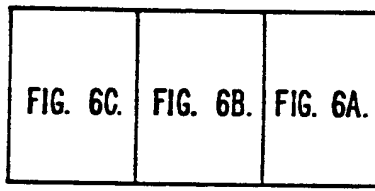


FIG. 5.

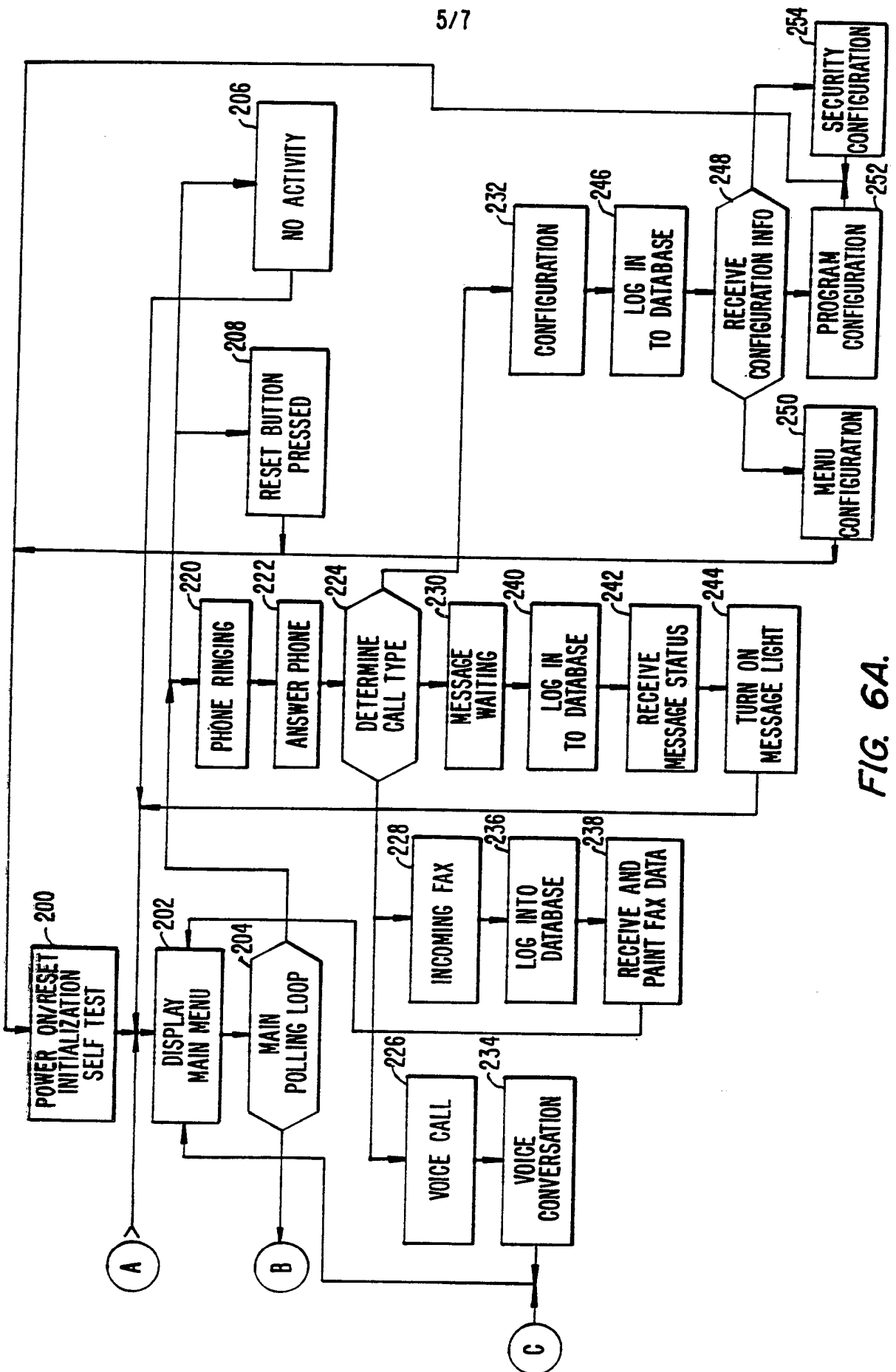


FIG. 6A.

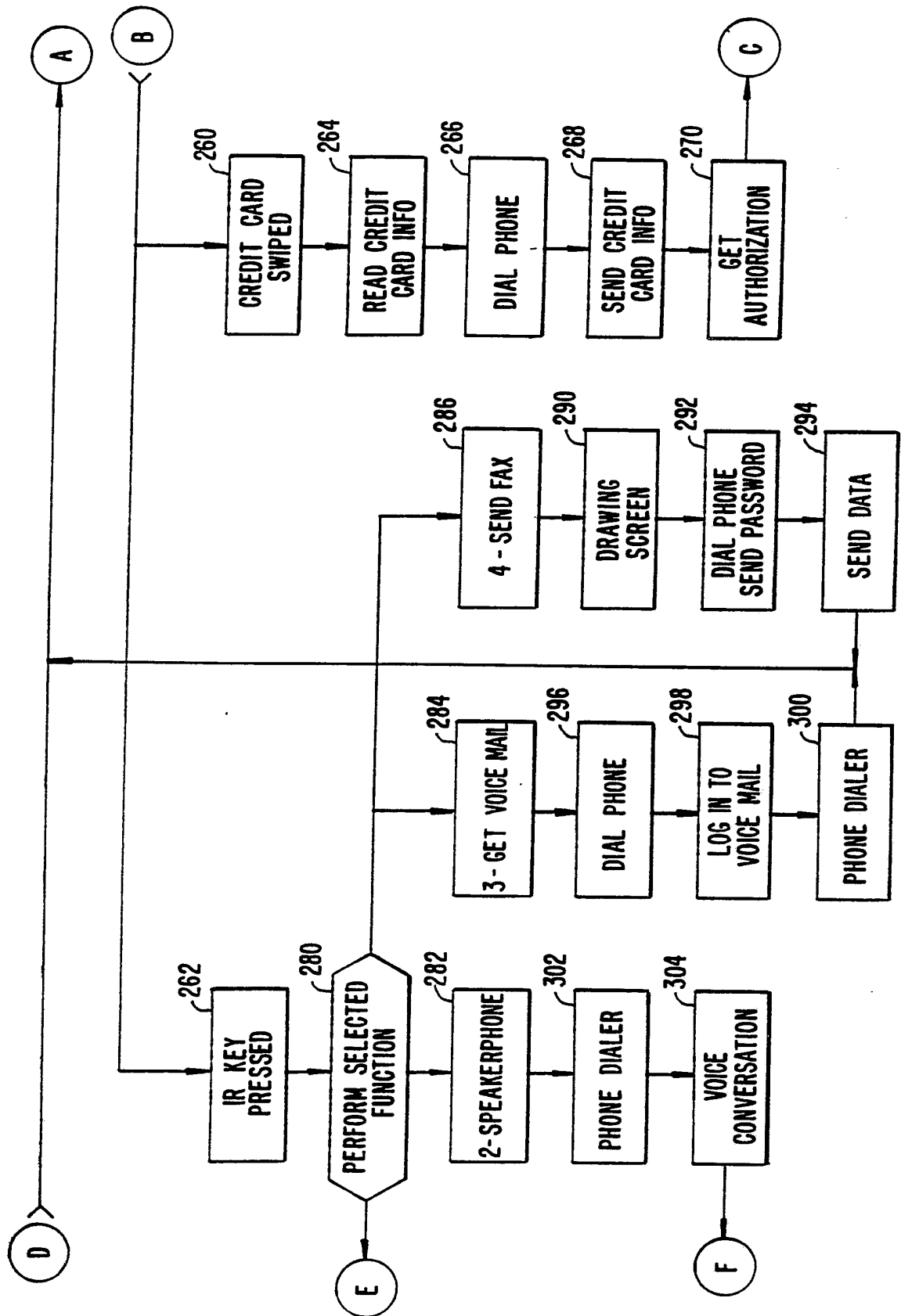


FIG. 6B.

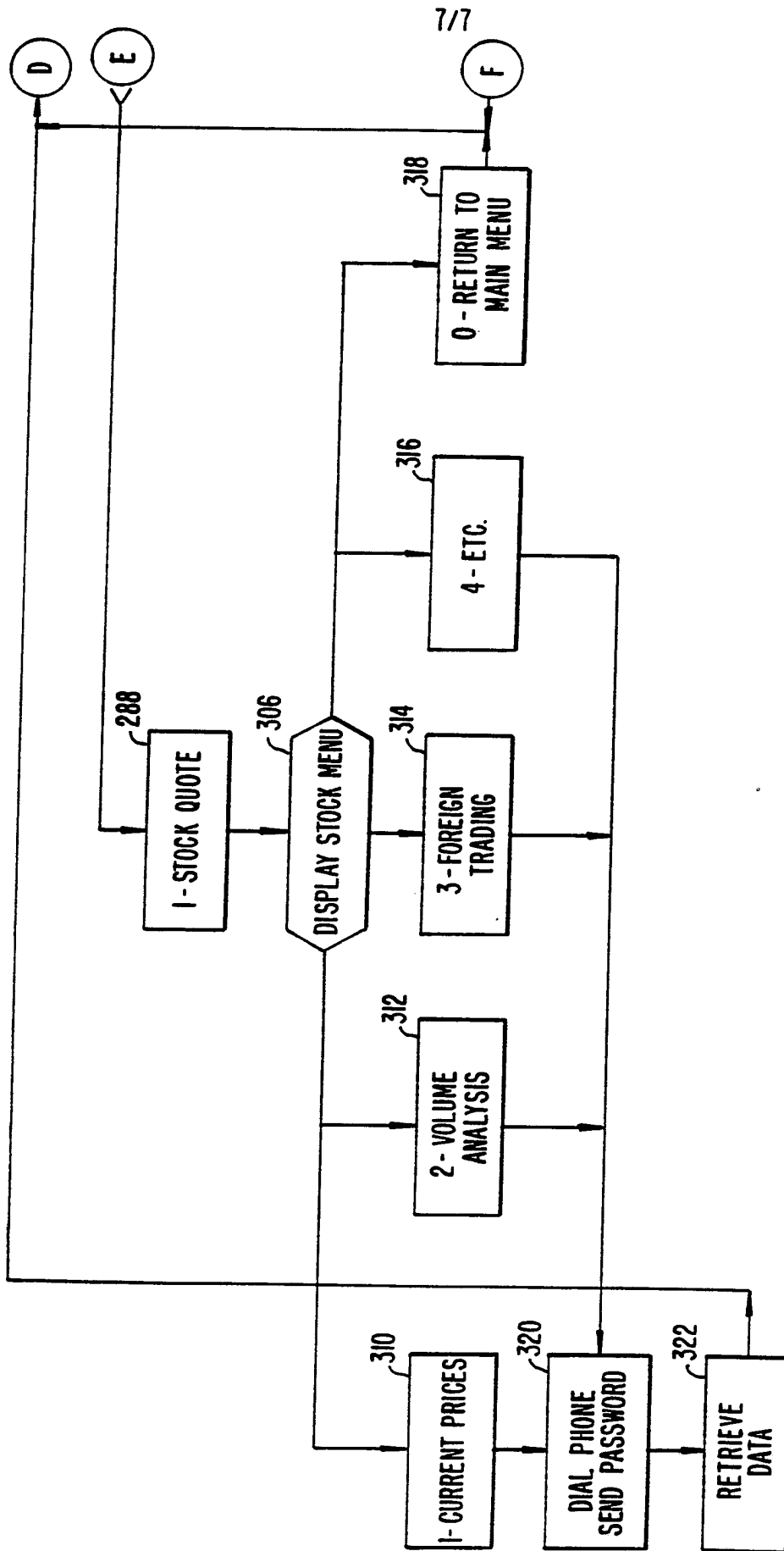


FIG. 6C.

LEHNO PLM11511515

INTERNATIONAL SEARCH REPORT

PCT/US92/08316

A. CLASSIFICATION OF SUBJECT MATTER

IPC(5) : ~~H04M~~ 7/12
 US CL : ~~378~~ 7/85

According to International Patent Classification (IPC) or to both national classification and IPC

B. FIELDS SEARCHED

Minimum documentation searched (classification system followed by classification symbols)

U.S. : 379/105,96-98,93,90,110,53,54;178/18,19;358/84,86,141-147

Documentation searched other than minimum documentation to the extent that such documents are included in the fields searched

Electronic data base consulted during the international search (name of data base and, where practicable, search terms used)
 none

C. DOCUMENTS CONSIDERED TO BE RELEVANT

Category*	Citation of document, with indication, where appropriate, of the relevant passages	Relevant to claim No.
X Y	US,A, 4,456,925 (Skerlos et al) 26 June 1984, lee abstract, ass Figures.	15,16 8-10
X Y	US,A, 4,987,486 (Johnson et al) 22 January 1991, see abstract.	1-4,14 5,6-13
Y	US,A, 4,329,684 (Monteath et al.) 11 May 1982 See abstract.	5,6
Y	US,A, 4,695,880 (Johnson et al) 22 September 1987, see abstract.	13
Y	US,A, 4,916,737 (Chomet et al) 10 April 1990, see abstract, Figure 2.	7

Further documents are listed in the continuation of Box C. See patent family annex.

* Special categories of cited documents:	"T" later document published after the international filing date or priority date and not in conflict with the application but cited to understand the principle or theory underlying the invention
"A" document defining the general state of the art which is not considered to be part of particular relevance	"X" document of particular relevance; the claimed invention cannot be considered novel or cannot be considered to involve an inventive step when the document is taken alone
"E" earlier document published on or after the international filing date	"Y" document of particular relevance; the claimed invention cannot be considered to involve an inventive step when the document is combined with one or more other such documents, such combination being obvious to a person skilled in the art
"L" document which may throw doubts on priority claim(s) or which is cited to establish the publication date of another citation or other special reason (as specified)	"&" document member of the same patent family
"O" document referring to an oral disclosure, use, exhibition or other means	
"P" document published prior to the international filing date but later than the priority date claimed	

Date of the actual completion of the international search

04 JANUARY 1993

Date of mailing of the international search report

08 FEB 1993

Name and mailing address of the ISA/US
 Commissioner of Patents and Trademarks
 Box PCT
 Washington, D.C. 20231

Facsimile No. NOT APPLICABLE

Authorized officer

WING F. CHAN

Telephone No. (703) 305-4732